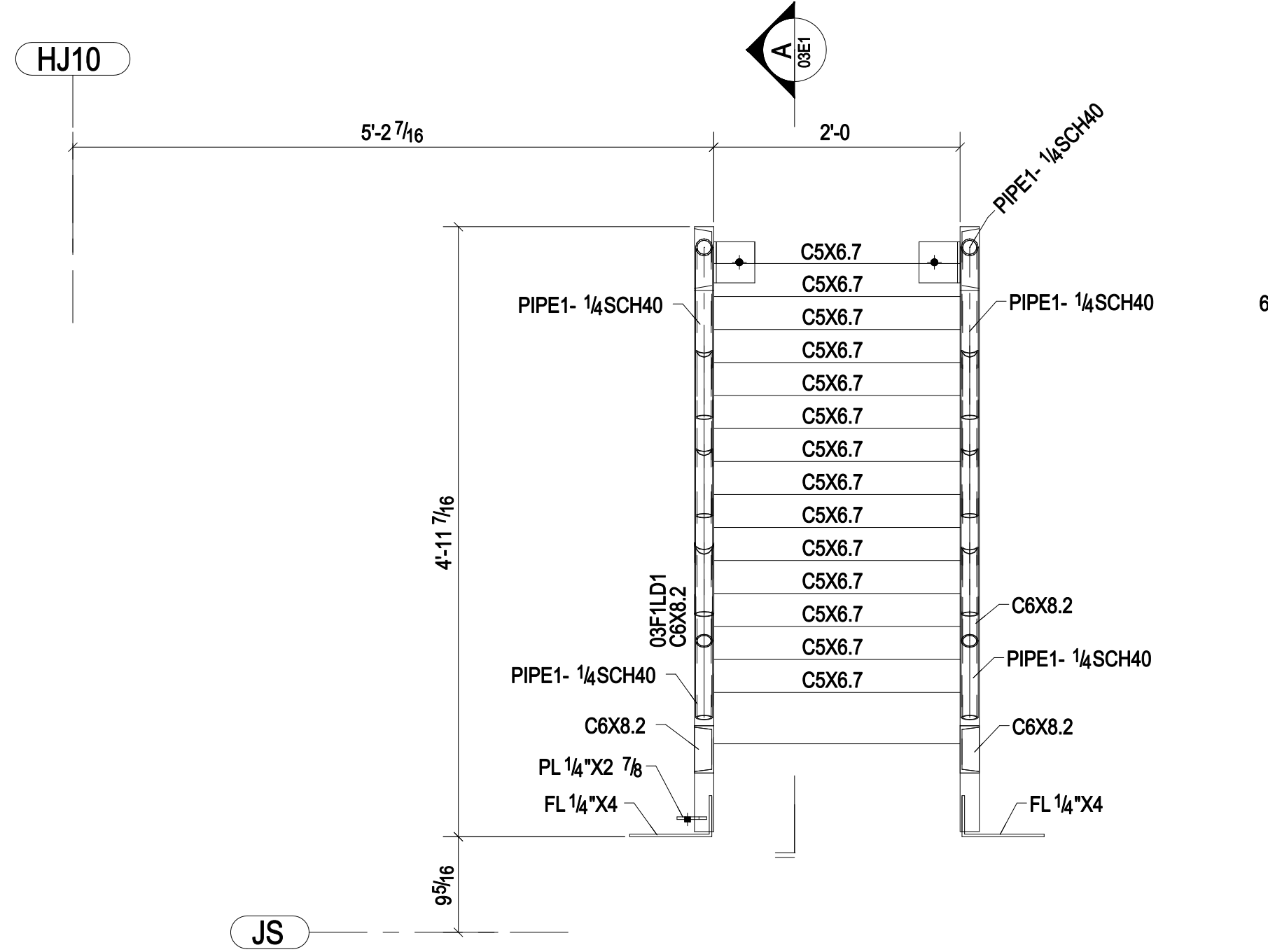
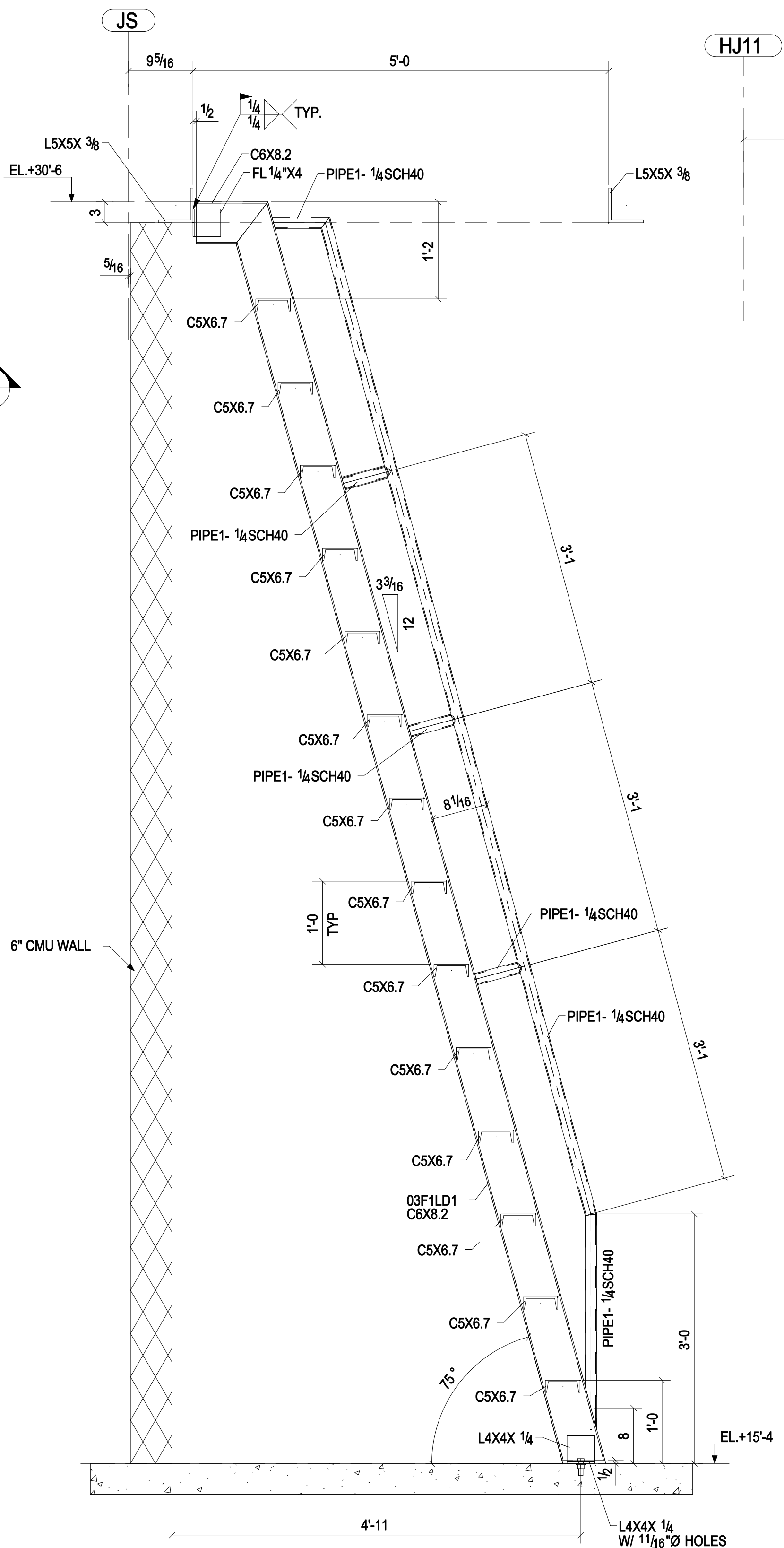


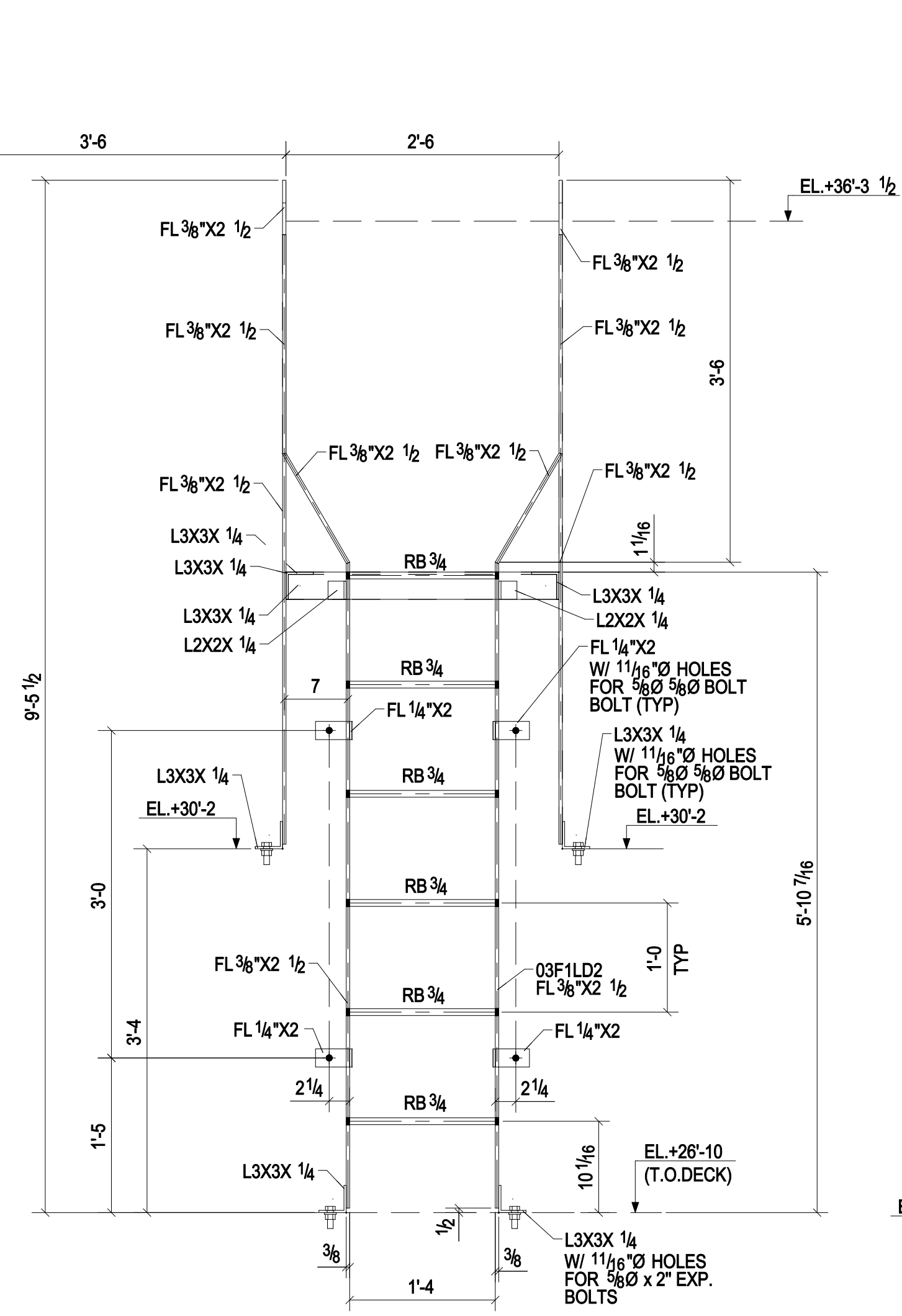
ROOF LADDER PLAN  
(REF:-A10.1.2)



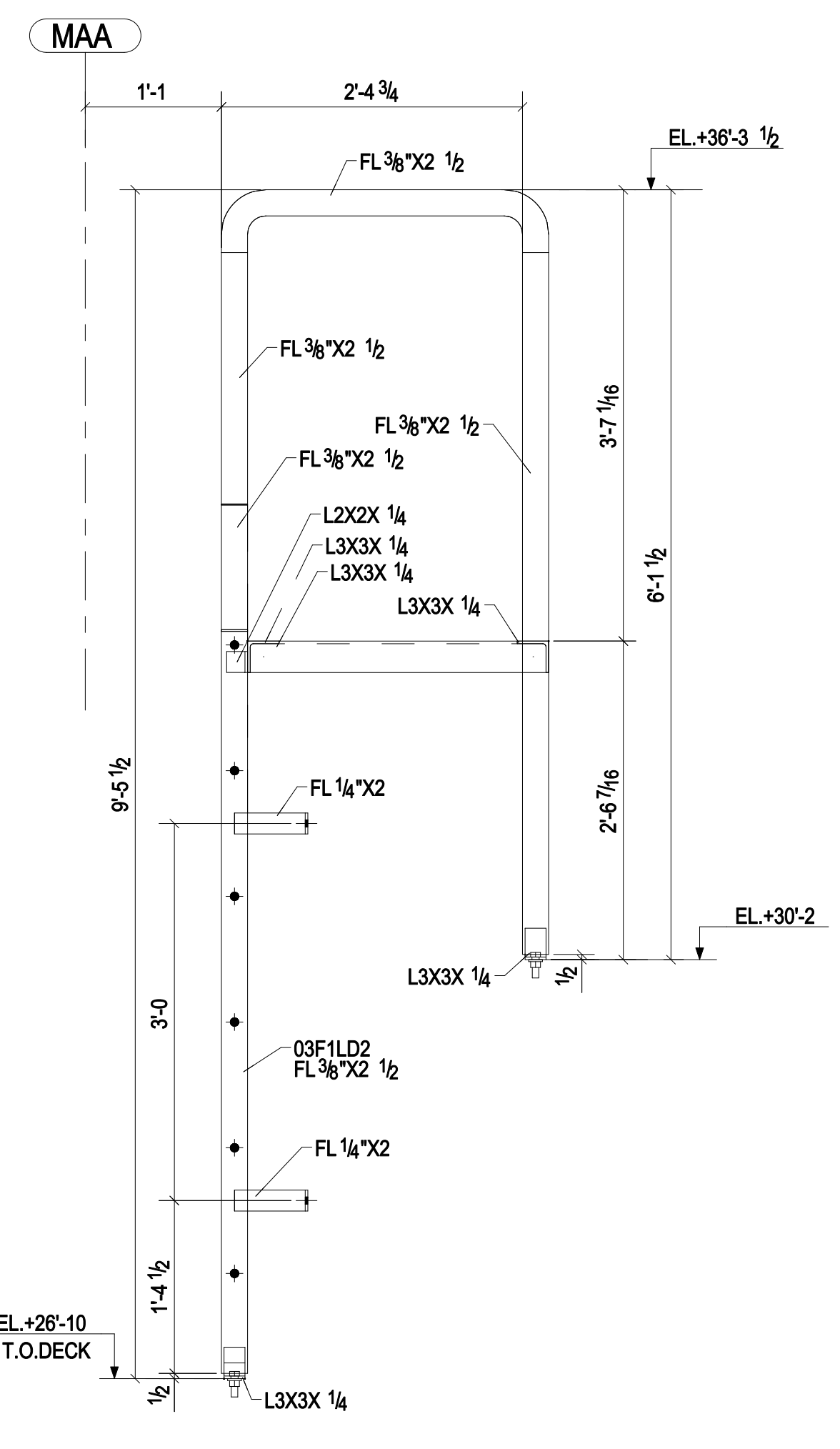
ROOF LADDER PLAN  
(REF:-A10.1.2)



A SECTION  
03E1



B SECTION  
03E1



C SECTION  
03E1 (REF:-E/ S401)

**SHOP DRAWING DISCLAIMER**  
ALL INFORMATION PROVIDED ON THESE OR ANY OTHER DRAWINGS IS PREPARED IN ACCORDANCE WITH THE CONTRACT DOCUMENTS AND THE SPECIFICATIONS. ALL CLOSERED AREAS SHOWN ARE DUE TO LACK OF INFORMATION PROVIDED BY THE CONTRACT DOCUMENTS OR SPECIFICATIONS, BUT PREPARED WITH ALL THE INFORMATION AVAILABLE TO US. WE MUST HAVE THESE AREAS APPROVED BY THE ORIGINAL CONTRACTOR, ARCHITECT, & ENGINEER, BEFORE WE CAN START FABRICATING ANY MATERIAL. PLEASE RESPOND WITH THE INFORMATION BY MARKING UP OUR SHOP DRAWINGS.

CHANGES PER RFIF
REFERENCE CONTRACT SHEETS
WELDS: E70XX
HOLES: 13/16" HOLES UNO.
STEEL: ASTM A992 UNO.

**STANDARD SHOP NOTES**  
1. EA. END OF MAT'L MAY DEVIATE FROM DIMS SHOWN BY 1/2" NORMAL AS MILL TOLERANCE FOR LENGTH AND SQUARENESS UNO.  
2. WELDERS ARE TO USE PCAW AND/OR SMAW PROCESSES PER AWS D1.1 UNLESS NOTED.  
3. ALL MEMBERS TO BE FABRICATED WITH SHIPPING MARKS ON LEFT HAND END.  
4. ALL SHOP BOLTS TO BE A-25 UNO.  
5. BENDING SHALL BE GIVEN FROM END OF MAIN MATERIAL (A. BOTT. COL. & END OF BEAM).  
6. 13/16" SLOTS @ 90° OF CLIP ANGLES UNO.

THIS DRAWING IS RELEASED FOR:

FIELD USE  
ITEM NO. 03

NO.	REVISION DESCRIPTION	DATE
1	FOR FIELD USE	08/28/14

ITEM NO. 03
VM
08/28/14
1673

**03E1**

RKB